

# BENT GLASS

Resources Guide

**WE CAN MEET YOUR BENT GLASS SPECIFICATIONS**

**Annealed | Tempered | Laminated | Insulating Glass Units**



[dlubakglass.com/bent-glass](http://dlubakglass.com/bent-glass)

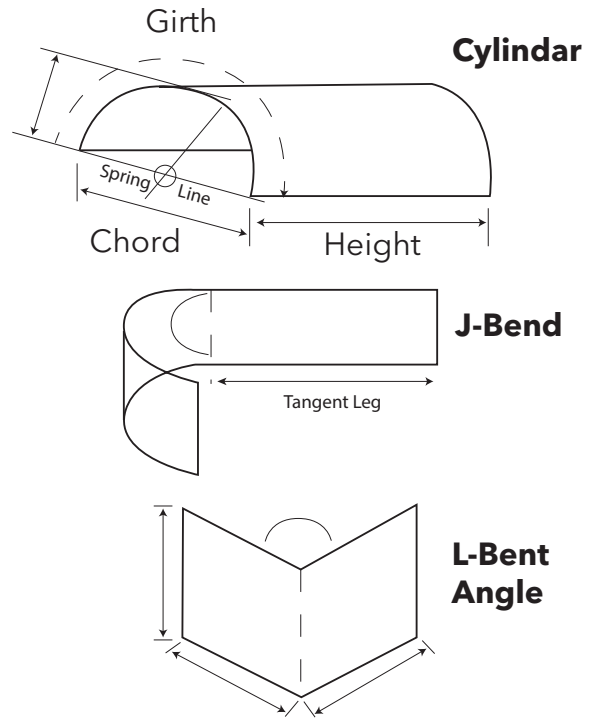
 **DLUBAK**  
SPECIALTY GLASS CORPORATION  
CURVED GLASS & SPECIALTY FLAT GLASS LAMINATES

# Product Details

Maximum and minimum sizes depend on composition, glass plies, size, glass ply thickness and bend detail.

GAUGE	ANNEALED	TEMPERED
1/8" [3mm]	X	
3/16" [5mm]	X	X Minimum Radius 39.4" [1000mm]
1/4" [6mm]	X	X Minimum Radius 39.4" [1000mm]
5/16" [8mm]	X	X Minimum Radius 47.2" [1200mm]
3/8" [10mm]	X	X Minimum Radius 47.2" [1200mm]
1/2" [12mm]	X	X Minimum Radius 59.1" [1500mm]
5/8" [16mm]	X	X Minimum Radius 78.7" [2000mm]
3/4" [19mm]		X Minimum Radius 78.7" [2000mm]

	ANNEALED	TEMPERED
<b>MAXIMUM GLASS SIZE</b>	60" [1524mm] Girth/Arch x 120" [3048mm] Height <i>Larger sizes available</i>	98.4" [2500mm] Girth/Arc x 137.8" [3500mm] Height
<b>MINIMUM GLASS SIZE</b>	<i>No minimum size</i>	23.6" [600mm] Girth/Arch x 19.7" [500mm] High



For a bent glass quote, go to:  
[dlubakglass.com/online-quotes](http://dlubakglass.com/online-quotes)

## AVAILABLE FABRICATION OPTIONS

**Laminated Glass** - with polyvinyl butyral (PVB) or SentryGlas™

**Insulating Glass** - with or without certain Low-E glass

**Clear Glass** - all types of low-iron

**Tinted Glass** - all substrates

**Silk-Screen Glass** - ceramic frit patterns

**Pattern Glass** - cutting patterns

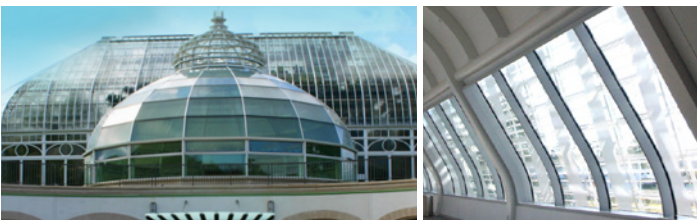
Seamed edges are standard for annealed bent glass. Polished and ground edges are available upon request for an added cost.

*All bent tempered will be priced with a flat polish.*

*Flat polishing is an added charge.*

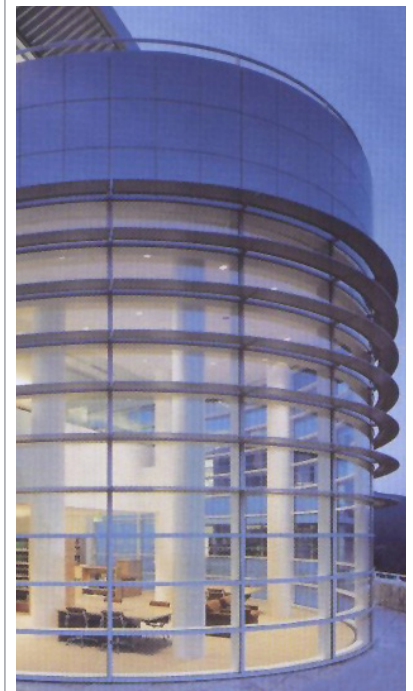
**Commercial coatings and Low-E glass are available.**

*Contact us to discuss options.*



## APPLICATIONS:

- Exterior Vision
- Spandrel Areas
- Insulating Glass Units (IGUs)
- Skylights
- Solariums
- Covered Walkways
- Interior Walls
- Office Partitions
- Handrails
- Staircases
- Balconies
- Revolving Doors
- Shower Doors



Visit [dlubakglass.com](http://dlubakglass.com) to learn more.

Contact us for more information at 800.336.0562 or [questions@dlubaksgc.com](mailto:questions@dlubaksgc.com)